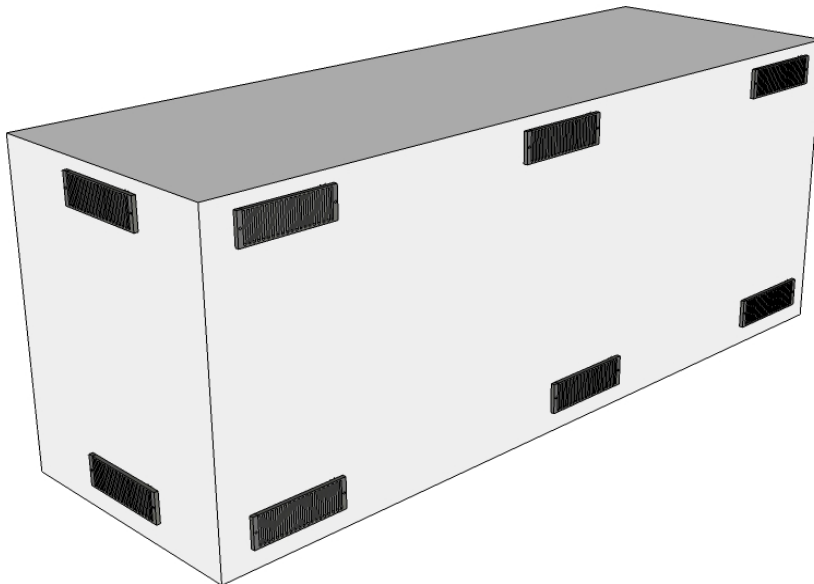




# **FLVK- GAS / MOISTURE VENTING KIT**

## ***INSTALLATION INSTRUCTIONS***

INSTALLER IS RESPONSIBLE FOR FOLLOWING PROPER VENTING  
CODES AND OR LAWS



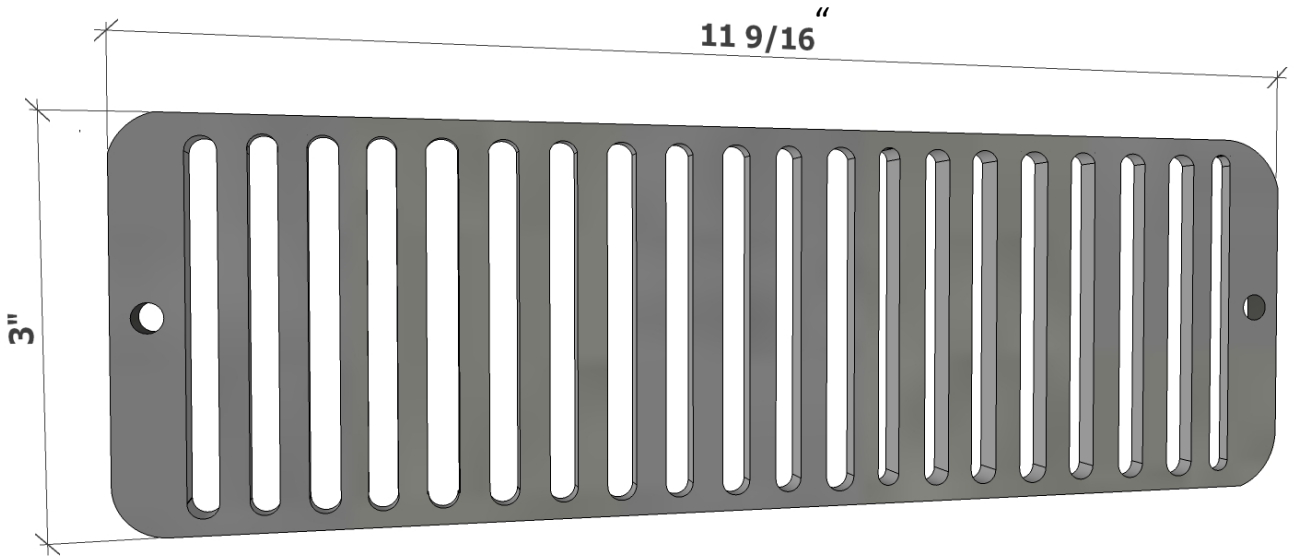
**ALL FLVK- VENTS MUST BE INSTALLED PER THE MANUFACTURE  
SPECIFICATIONS OF ANY AND ALL GAS PRODUCTS INSTALLED  
IN A STRUCTURE**

Image above does not show exact amount of vents needed and only shows possible positions

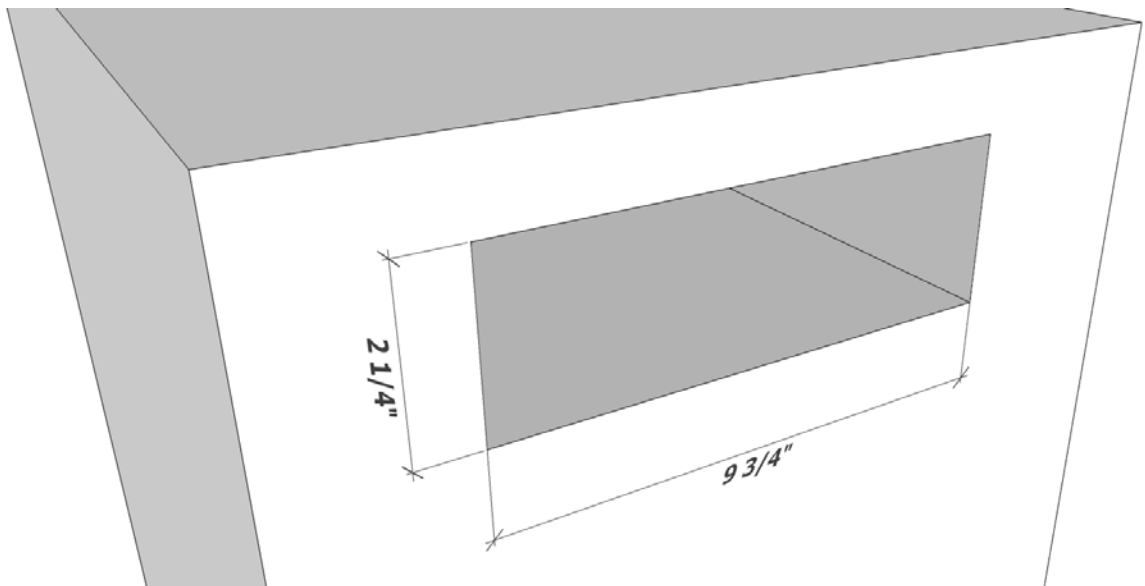
**THESE INSTRUCTIONS MUST BE LEFT WITH THE OWNER AND SHOULD BE RETAINED FOR ANY FUTURE REFERENCE**

# *VENT DIMENSIONS*

FIBERGLASS VENTS ARE ABLE TO BE PAINTED OR STAINED



# *CUTOUT DIMENSIONS*



**STAINLESS SCREWS RECOMMENDED**

ALL FLVK- VENTS MUST BE INSTALLED PER THE MANUFACTURE  
SPECIFICATIONS OF ANY AND ALL GAS PRODUCTS INSTALLED  
IN A STRUCTURE



# LIMITED LIFETIME WARRANTY



FIBEALUMN FIBERGLASS VENTS HAVE A LIFETIME WARRANTY  
FOR ANY MANUFACTURED DEFECTS.

FOR WARRANTY CLAIMS, PLEASE CONTACT YOUR LOCAL DEALER



**All Weather Cabinetry**

*DESIGNED FOR THE EASE OF INSTALLATION AND MAINTENANCE*

*SPEND MORE ENJOYING AND LESS TIME MAINTAINING*

